



Specifications

Electrical Ratings	50mA @ 50VDC	Dielectric Strength	250Vrms min
Electrical Life	100,000 cycles typical	Insulation Resistance	>100MΩ min
Contact Resistance	<50mΩ initial	Operating Temperature	-40°C to 85°C
Actuation Force	160 ± 50gF 260 ± 50gF	Storage Temperature	-40°C to 85°C
Acutation Travel	.20 ± .1mm		

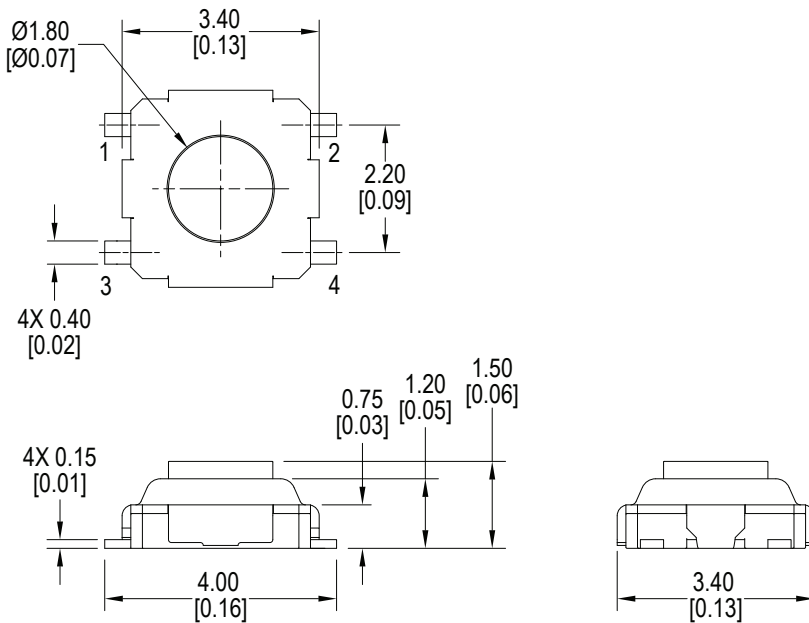
Materials

Actuator	PA6T Nylon
Housing	PA6T Nylon
Cover	Stainless Steel
Contacts	Stainless Steel, Silver Plated
Terminals	Phosphor Bronze, Silver Plated

Ordering Information

1. Series	CS1210	F160
CS1210		
2. Actuation Force		
F160 = 160gF		
F260 = 260gF		

Dimensions



Schematic & PC Layout

